

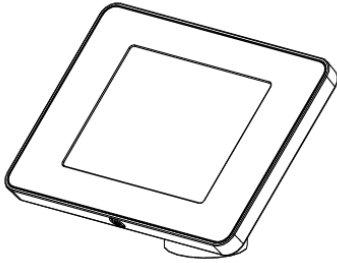
**PRODUCT NAME:** Olive Surface 155 and Wall 155

**PRODUCT CODE:** Mixed kit codes (see below)

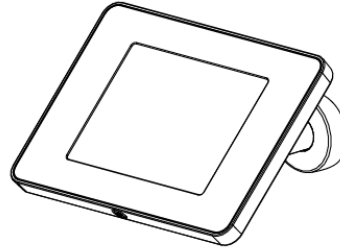
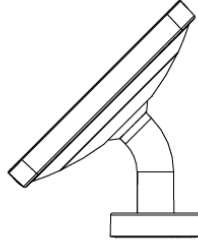
Doc Rev 1.

Product Rev #A

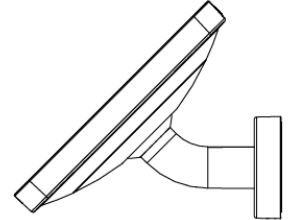
17.07.19 KO



Surface 155



Wall 155



The Surface 155 and Wall 155 product configurations are made up of the following Olive Kits:

OLV/001/H01/x	Olive Tablet Housing
OLV/001/Fxx/xxx/x*	Olive Fascia Kit*
OLV/001/SSK/155/x	Olive Standard Stem Kit -155

Note\*: Fascia Kit code and description varies according to the specific tablet model being mounted.  
Visit our website at [www.olivetablet.com](http://www.olivetablet.com) for a full list of compatible tablets and their Fascia Kit codes.

## FEATURES & BENEFITS

### Mountable Tablets

- Accommodates a variety of tablet models from 7.9" to 10.5" (Appropriate fascia variant must be specified.) Visit our website at [www.olivetablet.com](http://www.olivetablet.com) for full list of compatible tablets.
- Fascia window options permit the tablet home key and front-positioned camera to be user-accessible or hidden, according to preference.

### Security

- 360° cast aluminium housing. Tough and durable.
- Key-lockable for security combined with ease of access.
- Supplied with a through-panel fixing kit featuring 'dome-head' fixing bolts for maximum security. Standard screw fixings (not supplied) can also be used if preferred.
- Fixings are concealed under a discreet cover.

### Mounting

- Mountable to a counter or to a wall (or other vertical surface.)
- Tilt motion and portrait-to-landscape rotation included as standard.
- Tilt motion is lockable at 25°, 45° or 65° or configurable to dynamic motion (i.e. user tiltable.)
- Portrait-to-landscape rotation is lockable in portrait or landscape positions or configurable to dynamic motion (i.e. user rotatable.)

### Cabling

- Concealed cable path from the tablet to the under-surface (or behind-wall) area. (An alternative cable exit also permits cables to be routed over the surface where preferred.)
- Handy cable retention features guide and retain tablet cables/plugs.

## **KEY SPECIFICATIONS**

---

<b>Tablet Size Range</b>	7.9" to 10.5"
<b>Max Tablet Dimensions</b>	270mm x 187mm approximately. (Note that some tablets over 240mm wide may require a right-angle connector.)
<b>Tablet Thickness</b>	5.2mm min to 11mm max
<b>Max Mountable Weight</b>	1kg (2.2lb)
<b>Mount Height</b>	155mm (measured from mounting surface to centre of tablet screen.)
<b>Tilt Range</b>	25° to 65° lockable in 3 positions.
<b>Rotation Range</b>	90° (in clockwise or anticlockwise direction) lockable in portrait or landscape.
<b>Mount Surface Thickness</b>	13mm min to 33mm max. (using supplied through-panel fixing kit.)
<b>Recycled Material Content</b>	51%
<b>Total Product Recyclable</b>	88.7%

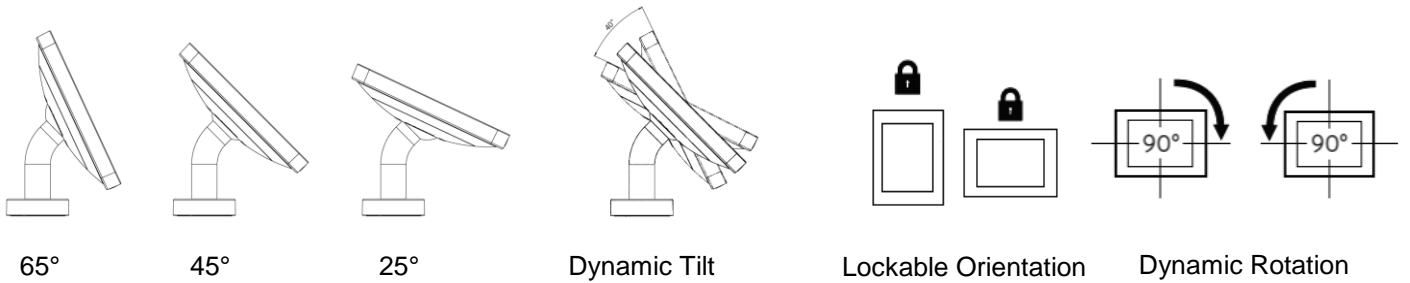
## **WARRANTY**

---

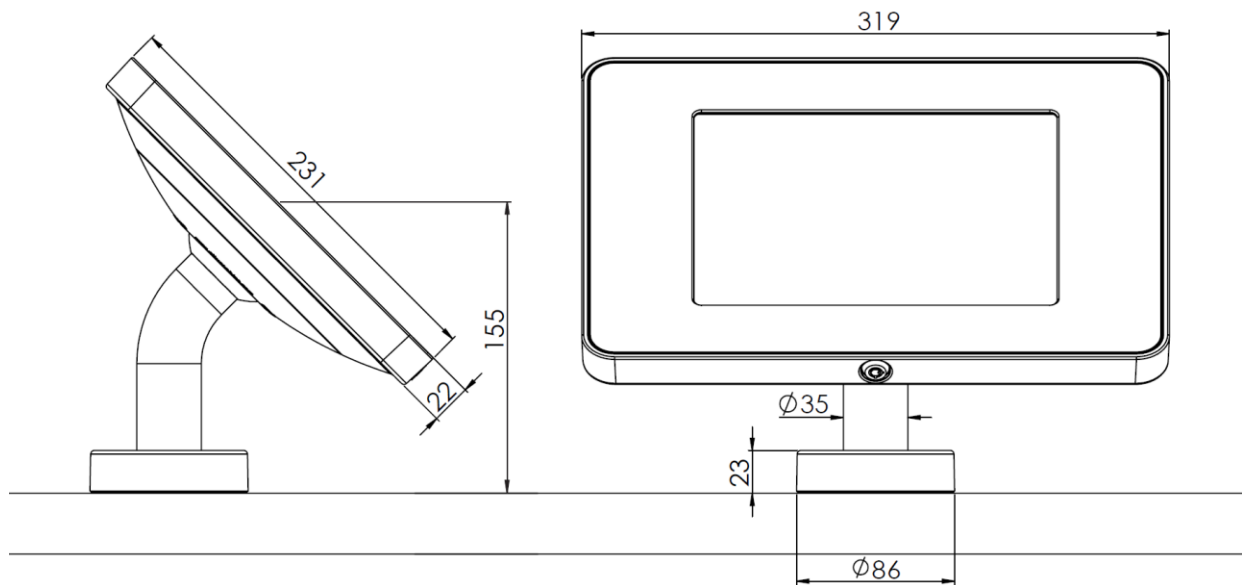
<b>Warranty Term</b>	2 years
----------------------	---------

## TILT ACTION & PORTRAIT-TO-LANDSCAPE ROTATION

The Olive Surface 155 and Wall 155 mounts can be locked in landscape or portrait orientation or can be configured for dynamic motion (i.e. user rotatable) in either clockwise or anticlockwise directions. The tilt angle can also be locked at 65°, 45° or 25° or can be configured for dynamic motion, i.e. user tiltable.



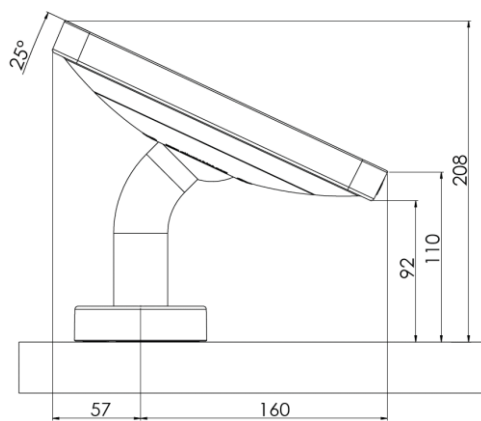
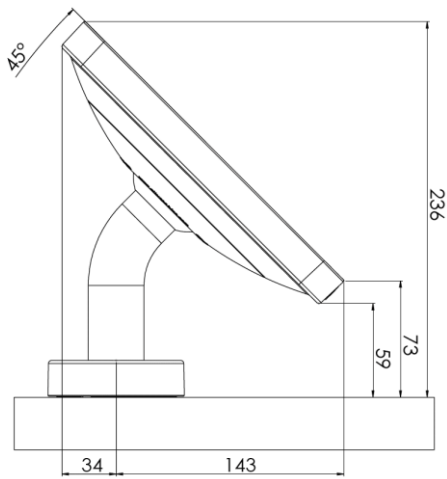
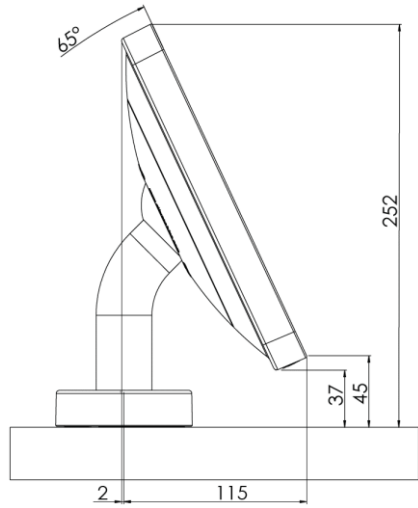
## DIMENSIONS - GENERAL



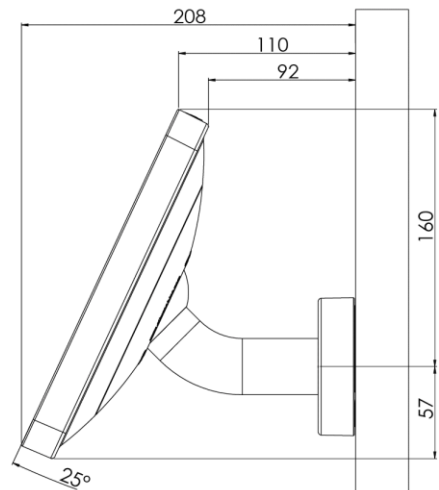
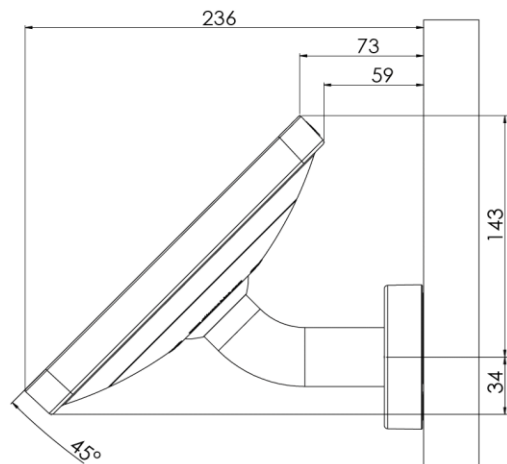
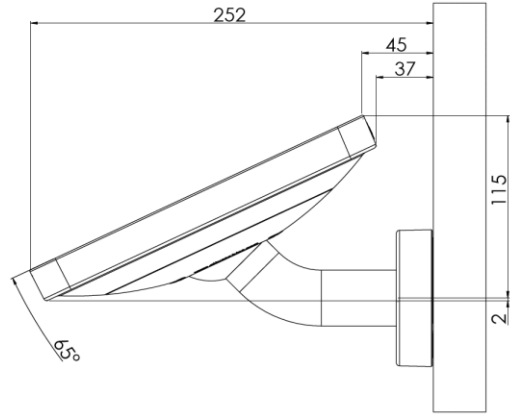
All dimensions are in m

## DIMENSIONS – AT TILT POSITIONS

Surface 155



Wall 155

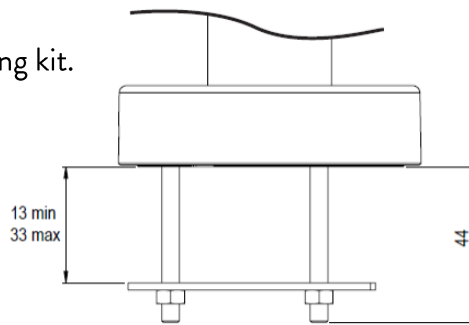


All dimensions are in mm

## USEFUL MOUNTING DIMENSIONS

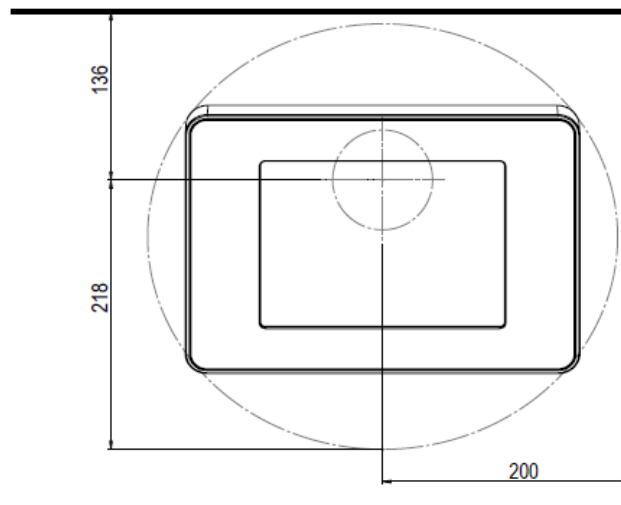
### Panel Mount Thickness Range

When using supplied through-panel fixing kit.



All dimensions are in mm

### Clearance for Portrait-to Landscape Rotation

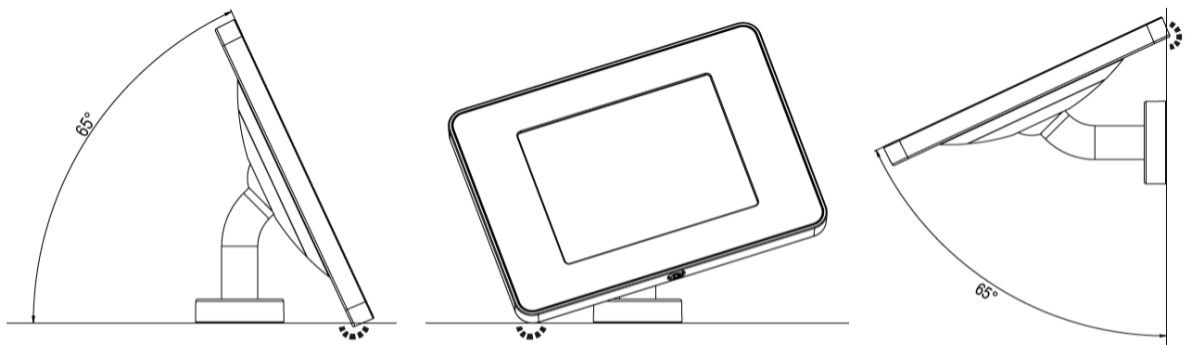


All dimensions are in mm

For portrait-to-landscape rotation, ensure that the Olive mounting position avoids clashing with adjacent walls or panels. Above are the recommended minimum distances to the centre of the stem mounting plate.

### Portrait-to-Landscape Rotation Restriction

(Surface 155 and Wall 155 only.)



When using the shorter stem mount OLV/001/SSK/155 tilted to its steepest angle (65°) portrait-to-landscape rotation will be restricted.

Rotation is not affected at other tilt angles (i.e. 45° or 25°.)

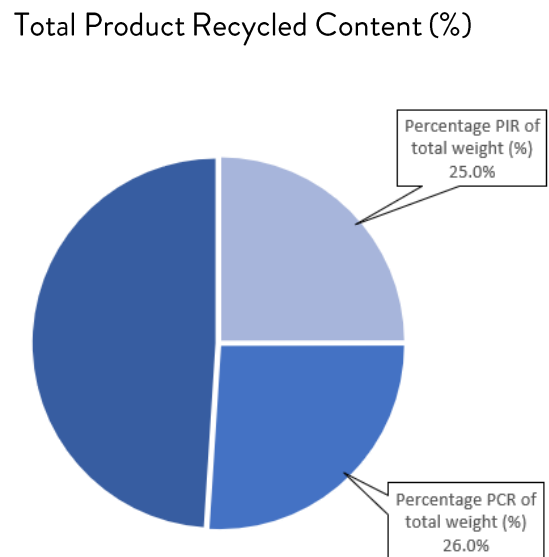
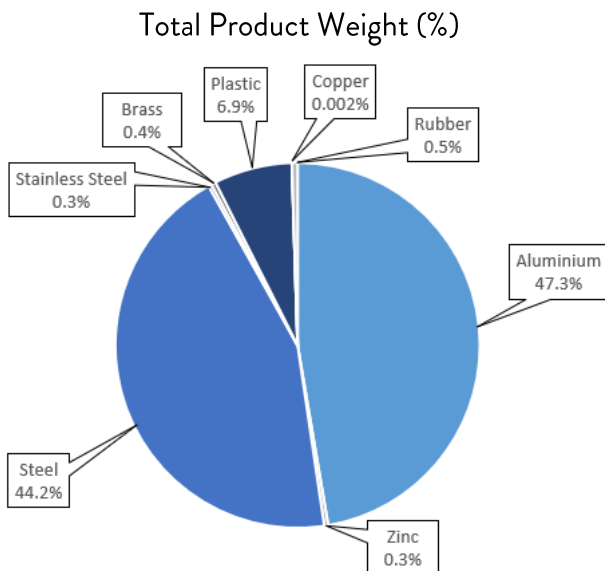
There are no restrictions when using the taller stem mount OLV/001/SSK/230.

## ENVIRONMENTAL (Surface 155 and Wall 155)

Material Make-up			Total Recycled Content	Breakdown of Recycled Content		Total Recyclable	
Overall Product			Overall Product			Overall Product	
Material type	Total Material type weight (g)	Percentage of Total Product Weight (%)	Material-Type Recycled Content (%)	Percentage PIR of total weight (%)	Percentage PCR of total weight (%)	Total Product Recyclable (g)	Total Product Recyclable (%)
Aluminium	1139.0	47.3%	44.9%	23.8%	21.1%	1083.0	45.0%
Zinc	8.4	0.3%	0.2%	0.1%	0.1%	0.0	0.0%
Steel	1064.8	44.2%	5.7%	1.0%	4.8%	873.3	36.3%
Stainless Steel	6.8	0.3%	0.2%	0.1%	0.1%	6.8	0.3%
Brass	9.4	0.4%	0.0%	0.0%	0.0%	8.6	0.4%
Plastic	167.1	6.9%	0.0%	0.0%	0.0%	151.8	6.3%
Copper	0.04	0.002%	0.0%	0.0%	0.0%	0.04	0.002%
Rubber	12.0	0.5%	0.0%	0.0%	0.0%	12.0	0.5%
<b>Total</b>	<b>2407.5</b>	<b>100.0%</b>	<b>51.0%</b>	<b>25.0%</b>	<b>26.0%</b>	<b>2135.5</b>	<b>88.7%</b>

Due to calculation rounding there may be some slight anomalies in displayed percentage totals.

PIR = Post Industrial Recycled  
PCR = Post Consumer Recycled



## CLEANING, STORAGE & MAINTENANCE

### Routine servicing

Periodic inspection

### Service components

Available to order

### Cleaning & Maintenance

Damp cloth, no abrasives, no solvents to be used on the cosmetic surfaces

### Handling & Storage

Do not drop or expose to moisture

While every effort is made to ensure the accuracy of our technical information, Colebrook Bosson Saunders (Products) Ltd accept no liability for the accuracy of the information contained in this document and reserve the right to modify the specifications or data contained herein without prior notification.