

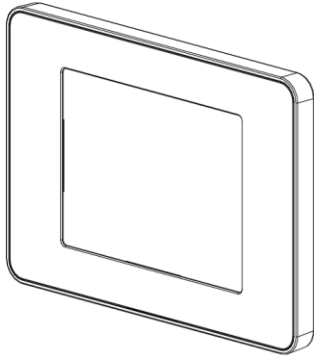
PRODUCT NAME: Olive Low-Profile Wall and VESA Mount

PRODUCT CODE: Mixed kit codes (see below)

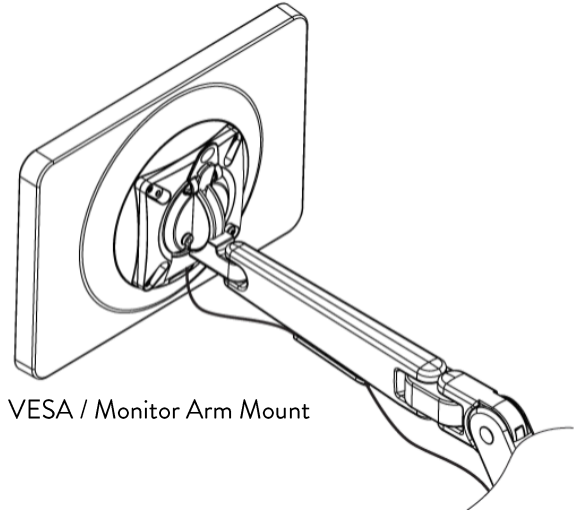
Doc Rev 1.

Product Rev #A

17.07.19 KO



Low-Profile Wall Mount



VESA / Monitor Arm Mount

The Low-Profile Wall and VESA Mount product configurations are made up of the following Olive Kits:

OLV/001/H01/x

Olive Tablet Housing

OLV/001/Fxx/xxx/x*

Olive Fascia Kit*

OLV/001/L01/B

Olive Low Profile / VESA Mount Kit

Note*: Fascia Kit code and description varies according to the specific tablet model being mounted.

Visit our website at www.olivetablet.com for a full list of compatible tablets and their Fascia Kit codes.

Monitor arm must be ordered separately.

FEATURES & BENEFITS

Mountable Tablets

- Accommodates a variety of tablet models from 7.9" to 10.5" (Appropriate fascia variant must be specified.) Visit our website at www.olivetablet.com for full list of compatible tablets.
- Fascia window options permit the tablet home key and front-positioned camera to be user-accessible or hidden, according to preference.

Security

- 360° cast aluminium housing. Tough and durable.
- Key-lockable for security combined with ease of access.
- Wall fixings are concealed within the housing so can only be accessed by unlocking the housing.
- An optional through-panel fixing kit is available to order (OLV/001/A01) featuring 'dome-head' fixing bolts for maximum security.

Mounting

- Mountable to a wall (or other vertical surface) or to a counter.
- Low profile 'picture frame' style mounting.
- VESA 100 compatible so can be mounted to a range of CBS monitor arms.

Cabling

- Concealed cable path from the tablet to the under-surface (or behind-wall) area. (An alternative cable exit also permits cables to be routed over the surface where preferred.)
- Handy cable retention features guide and retain tablet cables/plugs.

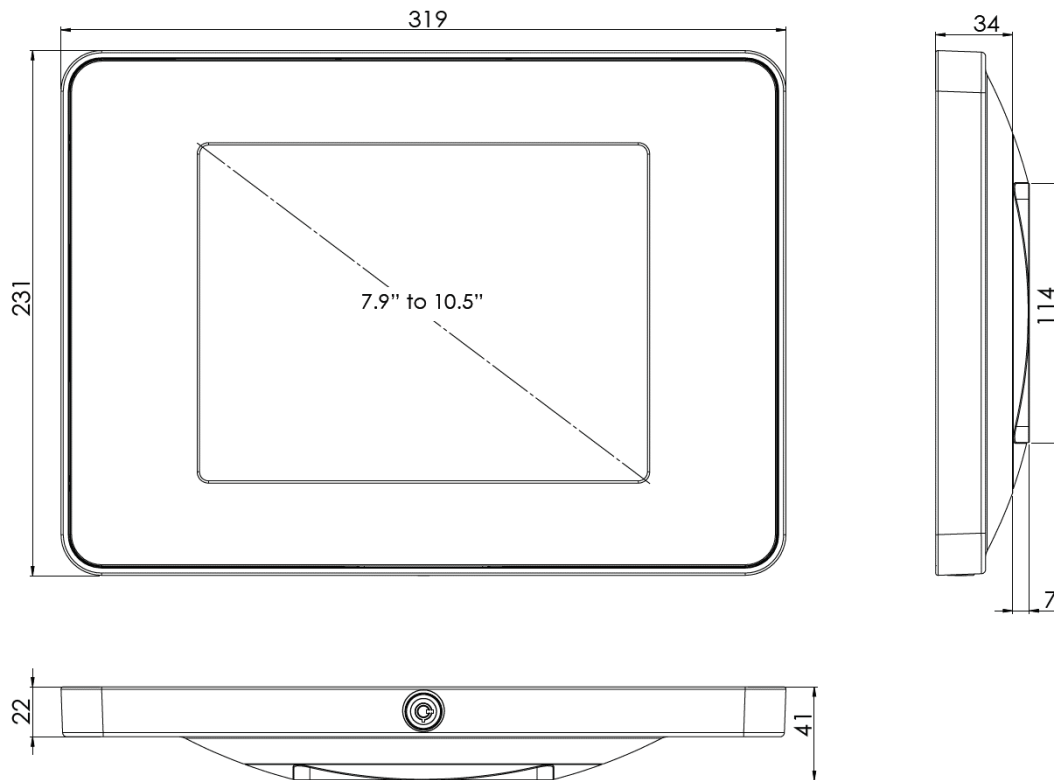
KEY SPECIFICATIONS

Tablet Size Range	7.9" to 10.5"
Max Tablet Dimensions	270mm x 187mm approximately. (Note that some tablets over 240mm wide may require a right-angle connector.)
Tablet Thickness	5.2mm min to 11mm max
Max Mountable Weight	1kg (2.2lb)
Mount Height	41mm (measured from mounting surface to front surface of fascia.)
Mount Surface Thickness	7mm min to 27mm max. (using optional through-panel fixing kit.)
Recycled Material Content	65.7%
Total Product Recyclable	92.2%

WARRANTY

Warranty Term	2 years
----------------------	---------

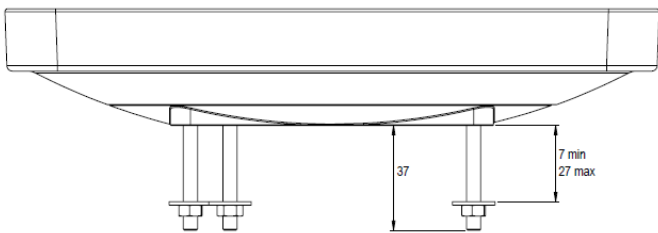
DIMENSIONS - GENERAL



All dimensions are in mm

USEFUL MOUNTING DIMENSIONS

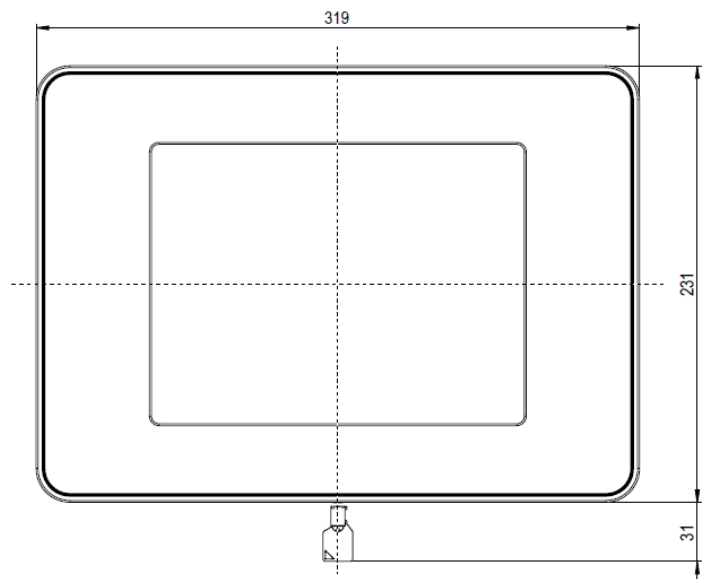
Panel Mount Thickness Range



When using the Olive Through-Panel Fixing Kit OLV/001/A01 (separately orderable.)

All dimensions are in mm

Clearance for Mounting



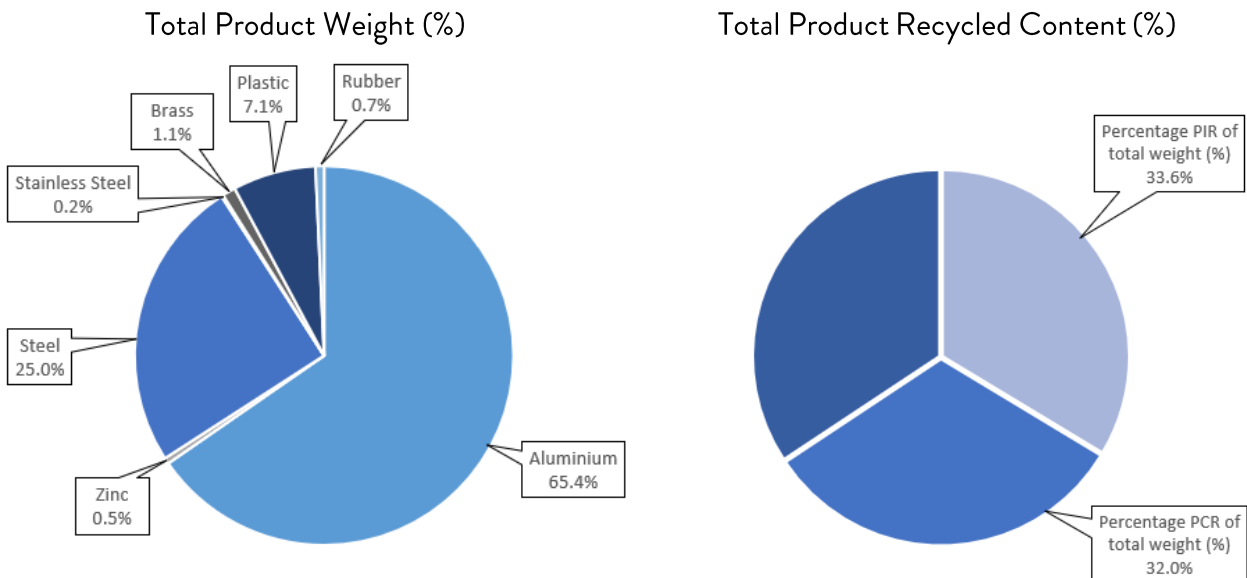
Ensure that the chosen mounting position allows adequate clearance to adjacent walls and panels, including clearance for key insertion.

ENVIRONMENTAL (Low-Profile Wall and VESA Mount)

Material Make-up			Total Recycled Content	Breakdown of Recycled Content		Total Recyclable	
Overall Product			Overall Product			Overall Product	
Material type	Total Material type weight (g)	Percentage of Total Product Weight (%)	Material-Type Recycled Content (%)	Percentage PIR of total weight (%)	Percentage PCR of total weight (%)	Total Product Recyclable (g)	Total Product Recyclable (%)
Aluminium	1083.0	65.4%	62.1%	32.9%	29.2%	1083.0	65.4%
Zinc	8.4	0.5%	0.2%	0.1%	0.1%	0.0	0.0%
Steel	414.2	25.0%	3.3%	0.6%	2.7%	414.2	25.0%
Stainless Steel	2.8	0.2%	0.1%	0.1%	0.0%	2.8	0.2%
Brass	18.6	1.1%	0.0%	0.0%	0.0%	8.6	0.5%
Plastic	117.6	7.1%	0.0%	0.0%	0.0%	6.0	0.4%
Rubber	12.0	0.7%	0.0%	0.0%	0.0%	12.0	0.7%
Total	1656.6	100.0%	65.7%	33.6%	32.0%	1526.6	92.2%

Due to calculation rounding there may be some slight anomalies in displayed percentage totals.

PIR = Post Industrial Recycled
PCR = Post Consumer Recycled



CLEANING, STORAGE & MAINTENANCE

Routine servicing	Periodic inspection
Service components	Available to order
Cleaning & Maintenance	Damp cloth, no abrasives, no solvents to be used on the cosmetic surfaces
Handling & Storage	Do not drop or expose to moisture

While every effort is made to ensure the accuracy of our technical information, Colebrook Bosson Saunders (Products) Ltd accept no liability for the accuracy of the information contained in this document and reserve the right to modify the specifications or data contained herein without prior notification.